

FLOWPAP[®]

VS Series Stainless Steel Submersible Pumps 6" & 8"

50Hz



PAPANTONATOS
Pumps service & engineering



FLOWPAP®

APPLICATIONS

- Municipal water works Water
- distribution and pressure boosting
- Irrigation and sprinkler systems, water treatment plants, filtration and reverse osmosis
- Industrial cooling and processing
- Mining industry, drainage and dewatering
- Fountains
- Fire - fighting equipment
- General industry

FEATURES

- Fabricated stainless steel impellers and diffusers for corrosion resistance
- Heavy duty stainless steel structure to assure permanent alignment of all the components in order to increase run time and trouble-free operation
- PTFE floating neck ring, ceramic guide journal sleeve (tungsten-carbide on request) and Nitrile rubber fluted bearing to ensure durability against wear for long-lasting constant performances and product reliability
- Compact, reliable and suited to operate in horizontal position
- Built-in check valve to protect the pump against water hammer risk
- External stainless steel sleeve to improve stiffness and assure permanent alignment of all the components
- Radial models with double reinforcement rings and mix-flow models longer than 3 mt are equipped with tungsten-carbide (widia) upper journal sleeve and with an intermediate tungsten-carbide (widia) journal sleeve plus special intermediate split cone nut
- The hydraulic design is such to enhance the overall efficiency thus reducing energy consumption and making the pumping systems more cost effective

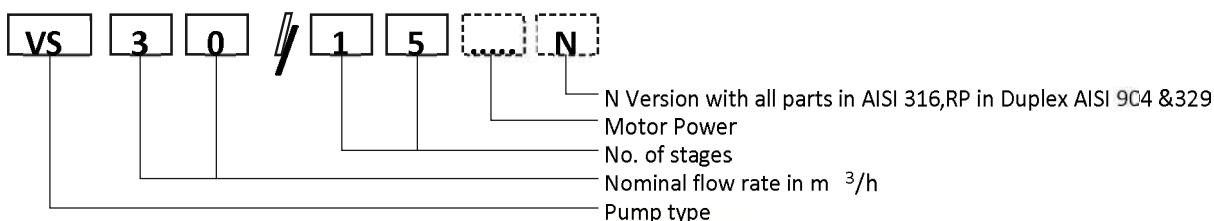
SPECIFICATIONS

AVAILABLE OPTIONS

- 316 Stainless steel (N) version (N) version (DIN/EN 1.4401) ,Duplex Stainless steel (RP)version
- Double cable guard
- Rp 2" and Rp 3" discharge heads for VS 14 and VS 19 ,Rp 4" discharge head for VS25,30,46,65 ,Rp 5" for VS78,97
- 4" motor adapter for VS 14,19, 25,30,46,65
- 8" motor adapter
- Tungsten-carbide guide journal sleeve
- High temperature version (up to 90° C)

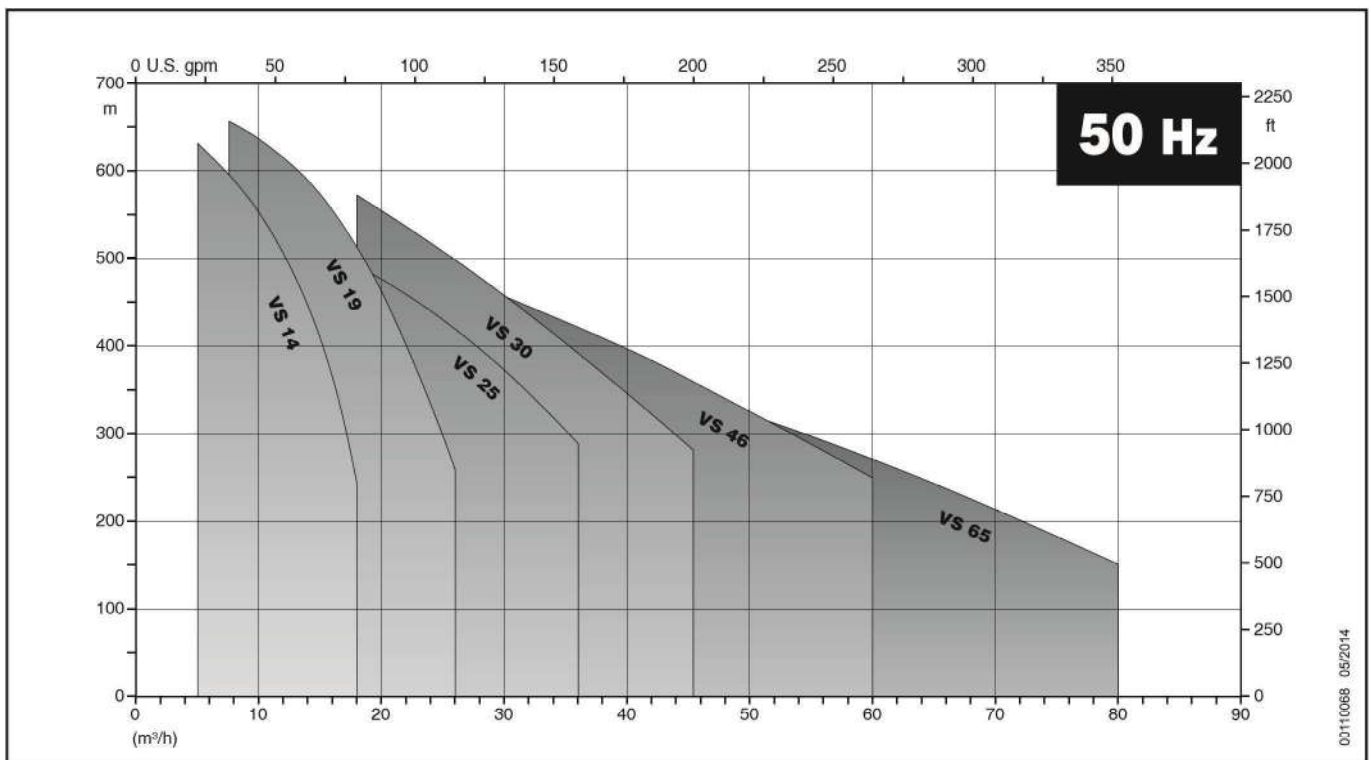
PUMP IDENTIFICATION CODE

- Capacities up to 80 m³/h for 6" and up to 120m³/h for 8" at 50Hz
- 70 Bar (700 m) at 50Hz
- Maximum allowable amount of sand 100 gr/m³
- Water temperature range: from -5° C to 60°C



FLOWPAP®

Submersible Pumps for 6" deep wells and larger



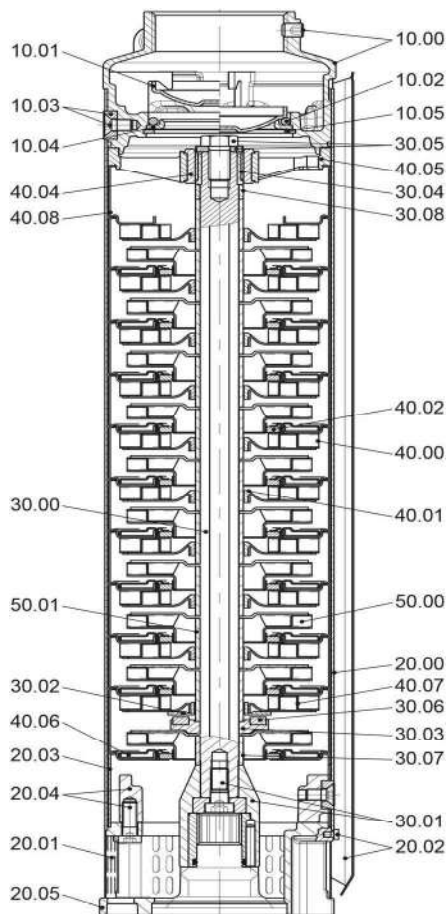
FLOWPAP®

MATERIAL IN CONTACT WITH THE LIQUID						
Pos.	PARTS DESCRIPTIONS	Type	MATERIAL			
			Standard version		N version	
			AISI	DIN / EN	AISI	DIN / EN
10.00	Discharge head	Stainless steel	304	1.4301	316	1.4401
10.01 / 04 / 05	Valve	Stainless steel	316	1.4401	316	1.4401
10.02	Sealing O-ring	Nitrile rubber (NBR)	-	-	-	-
10.03	Outer case locking nuts	Stainless steel	316	1.4401	316	1.4401
20.00	Outer case	Stainless steel	304	1.4301	316	1.4401
20.01	Suction strainer	Stainless steel	316	1.4401	316	1.4401
20.02	Cable guard	Stainless steel	316	1.4401	316	1.4401
20.03	Initial spacer	Stainless steel	304	1.4301	316	1.4401
20.04	Flange and screws	Stainless steel	304	1.4301	316	1.4401
20.05	Motor adapter	Stainless steel	304	1.4301	316	1.4401
30.00	Pump shaft	Stainless steel	431	1.4057	316/329	1.4401/1.4460
30.01	Coupling	Stainless steel	431/329	1.4057/1.4460	316/329	1.4401/1.4460
30.02 / 03	Upper / Lower up-thrust washer	Stainless steel	316	1.4401	316	1.4401
30.04	Upper journal sleeve	Stainless steel with ceramic coating	329	1.4460	329	1.4460
30.05	Screw and washer	Stainless steel	316	1.4401	316	1.4401
30.06	Up-thrust ring	PTFE + Graphite	-	-	-	-
30.07 / 08	Lower / Upper spacer	Stainless steel	316	1.4401	316	1.4401
40.00	Diffuser	Stainless steel	304	1.4301	316	1.4401

FLOWPAP®

40.01	Secondary bearing bush	Nitrile rubber (NBR)	-	-	-	-
40.02	Floating neck ring	PTFE	-	-	-	-
40.03	Flange clamping neck ring	Stainless steel	304	1.4301	316	1.4401
40.04	Bearing bush	Nitrile rubber (NBR)	-	-	-	-
40.05	Last - int. diffuser / Upper bearing guide	Stainless steel	316	1.4401	316	1.4401
40.06 / 07 / 08	First / Last diffuser	Stainless steel	316	1.4401	316	1.4401
50.00 / 05	Impeller / Wear ring	Stainless steel	304	1.4301	316	1.4401
50.01	Split cone / Impeller spacer	Stainless steel	316	1.4401	316	1.4401
50.02 / 03	Split cone nut / Intermediate cone nut	Stainless steel	316	1.4401	316	1.4401
50.04	Up-thrust split cone nut	Stainless steel	316	1.4401	316	1.4401
50.06	Intermediate impeller with screw	Stainless steel	304	1.4301	316	1.4401

Section and List of Main Components VS 14, VS 19, VS 25



Ref.N.	Description	Ref.N.	Description
1000	Discharge head and screw	3004	Upper journal sleeve
1001	Valve	3005	Screw and washer
1002	O-ring	3006	Up-thrust ring
1003	Screws and outer case locking nuts	3007	Lower spacer
1004	Valve support	3008	Upper spacer
1005	Seeger ring	4000	Diffusers
2000	Outer case	4001	Secondary bearing bush
2001	Suction strainer	4002	Floating neck ring
2002	Cable guard and screws	4004	Bearing bush
2003	Initial spacer	4005	Upper bearing guide
2004	Flange and bolts	4006	First diffuser
2005	Motor adapter	4007	Diffuser with upper up-thrust washer
2006	4" motor flange / coupling adapter	4008	Last diffuser
3000	Pump shaft	5000	Impeller
3001	Coupling	5001	Impeller spacer
3002	Upper up-thrust washer		
3003	Lower up-thrust washer		

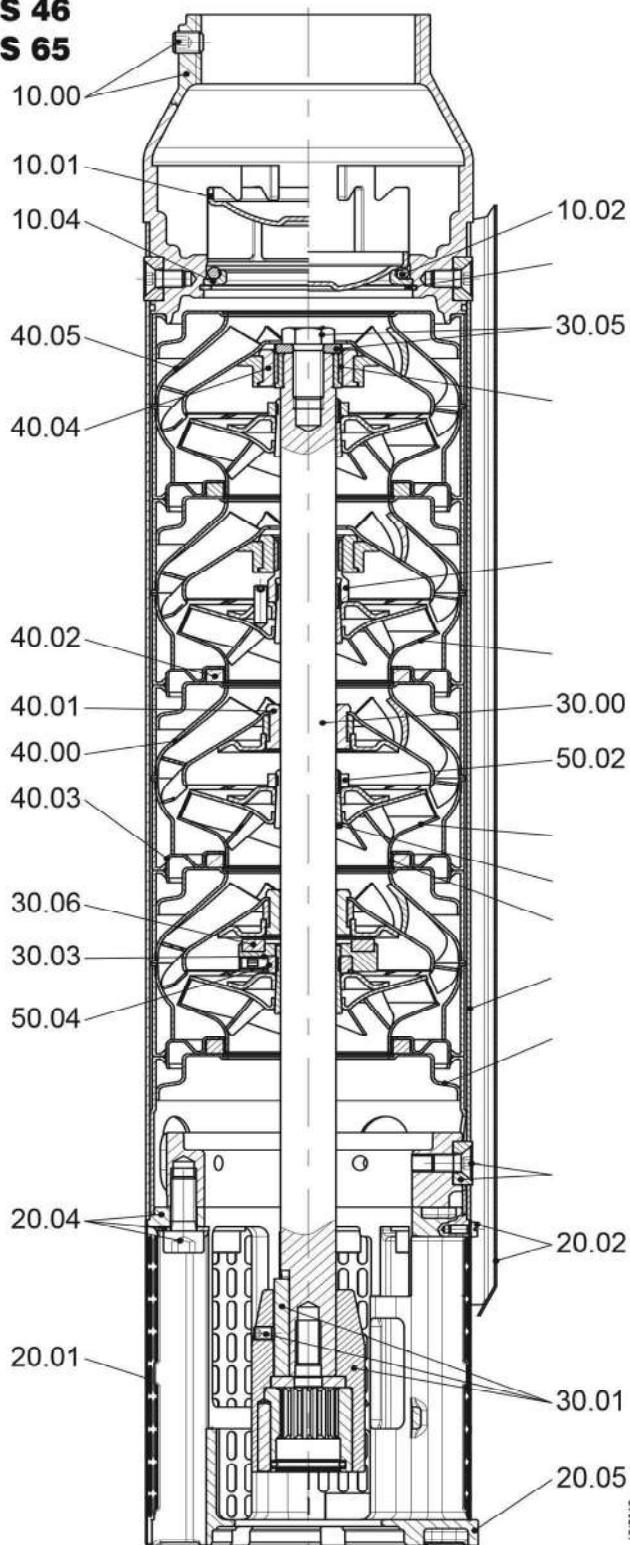
FLOWPAP®

Section and List of Main Components

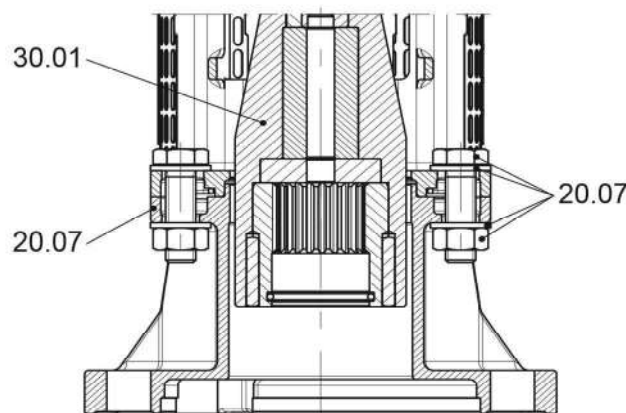
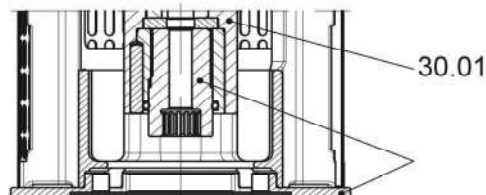
VS 30

VS 46

VS 65



Ref. N.	Description
10.00	Discharge head and screw
10.01	Valve
10.02	O-ring
10.03	Screws and outer case locking nuts
10.04	Valve support
10.05	Seeger ring
20.00	Outer case
20.01	Suction strainer
20.02	Cable guard and screws
20.03	Initial spacer
20.04	Flange and bolts
20.05	Motor adapter
20.06	4" motor flange / coupling adapter
20.07	8" motor adapter / bolts and washer
30.00	Pump shaft
30.01	Coupling
30.03	Lower up-thrust washer
30.04	Upper journal sleeve
30.05	Screw and washer
30.06	Up-thrust ring
40.00	Diffusers
40.01	Secondary bearing bush
40.02	Floating neck ring
40.03	Flange clamping neck ring
40.04	Bearing bush
40.05	Last / intermediate diffuser
50.00	Impeller
50.01	Split cone
50.02	Split cone nut
50.03	Intermediate split cone nut
50.04	Up thrust split cone nut
50.05	Wear ring
50.06	Intermediate impeller with screw



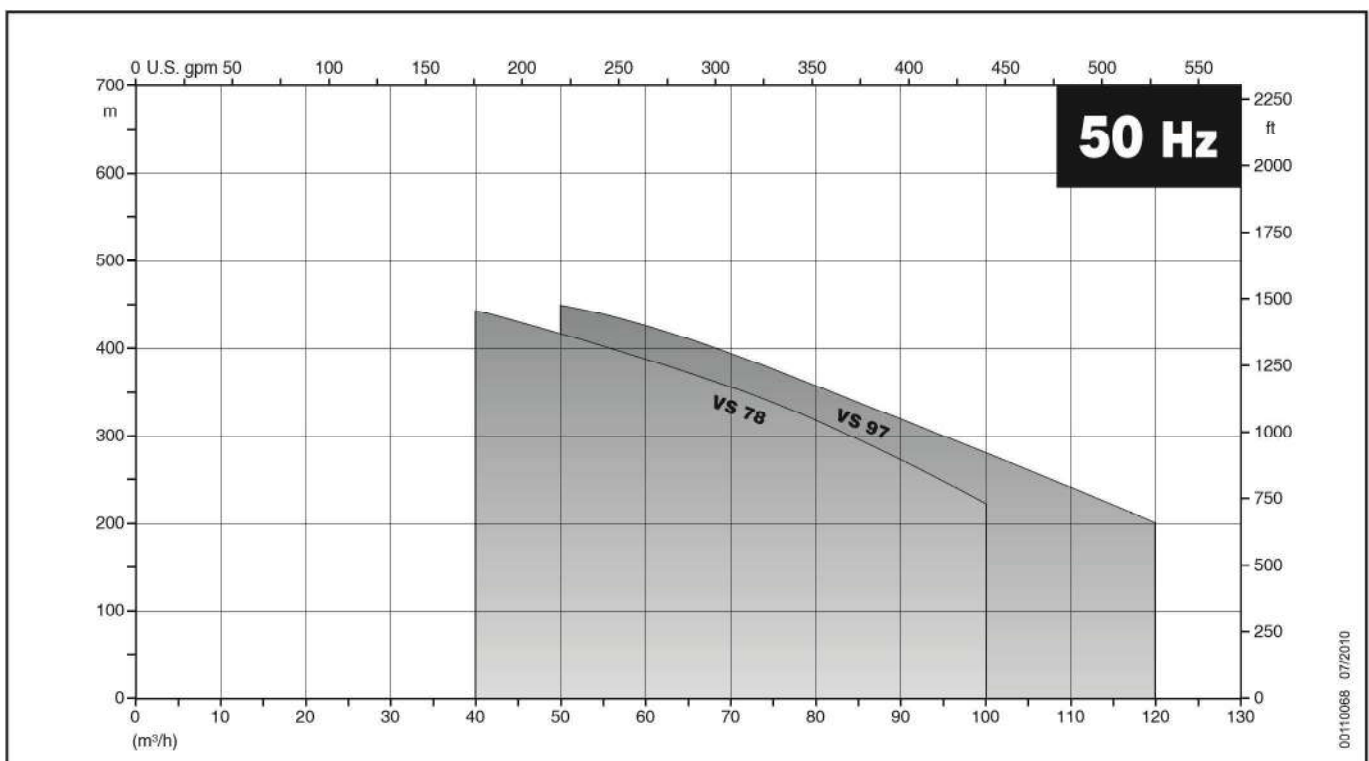
8" Motor Adapter

00114056 12/2012

00114056 11/2010

FLOWPAP®

VS Series Stainless Steel Submersible Pumps for 8" deep wells and larger

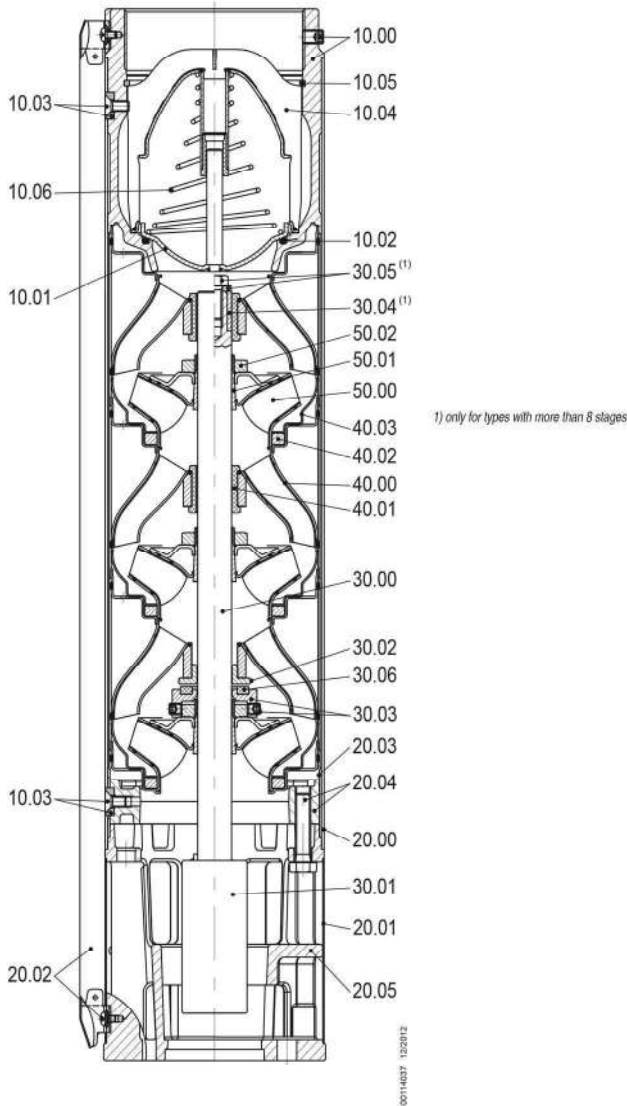


FLOWPAP®

MATERIAL IN CONTACT WITH THE LIQUID						
Pos.	PARTS DESCRIPTIONS	Type	MATERIAL			
			Standard version		N version	
			AISI	DIN / EN	AISI	DIN / EN
10.00	Discharge head	Stainless steel	304	1.4301	316	1.4401
10.01	Valve	Stainless steel	316	1.4401	316	1.4401
10.02	Sealing O-ring	Nitrile rubber (NBR)	-	-	-	-
10.03	Outer case locking nuts	Stainless steel	316	1.4401	316	1.4401
10.04	Valve support	Stainless steel and PTFE	316	1.4401	316	1.4401
10.05	Seeger ring	Stainless steel	316	1.4401	316	1.4401
10.06	Spring	Stainless steel	316	1.4401	316	1.4401
20.00	Outer case	Stainless steel	304	1.4301	316	1.4401
20.01	Suction strainer	Stainless steel	316	1.4401	316	1.4401
20.02	Cable guard	Stainless steel	316	1.4401	316	1.4401
20.03	Initial spacer	Stainless steel	316	1.4401	316	1.4401
20.04	Flange and screws	Stainless steel	304	1.4301	316	1.4401
20.05	Motor adapter	Stainless steel	304	1.4301	316	1.4401
30.00	Pump shaft	Stainless steel	329	1.4460	329	1.4460
30.01	Coupling	Stainless steel	431/329	1.4057/1.4460	316/329	1.4401/1.4460
30.02	Upper up-thrust washer	Stainless steel	329	1.4460	329	1.4460
30.03	Lower up-thrust washer	Stainless steel	329	1.4460	329	1.4460
30.04	Upper journal sleeve ⁽¹⁾	Stainless steel with ceramic casting	-	-	-	-
30.05	Screw and washer	Stainless steel	316	1.4401	316	1.4401
30.06	Up-thrust ring	PTFE + Graphite	-	-	-	-
40.00	Diffuser	Stainless steel	304	1.4301	316	1.4401
40.01	Secondary bearing bush	Nitrile rubber (NBR)	-	-	-	-
40.02	Floating neck ring	PTFE	-	-	-	-
40.03	Flange clamping neck ring	Stainless steel	316	1.4401	316	1.4401
50.00	Impeller	Stainless steel	316	1.4401	316	1.4401
50.01	Split cone	Stainless steel	316	1.4401	316	1.4401
50.02	Split cone nut	Stainless steel	316	1.4401	316	1.4401

FLOWPAP®

Section and List of Main Components VS 78 ,VS 97



Ref.N.	Description
1000	Discharge head
1001	Valve
1002	Sealing O-ring
1003	Outer case locking nuts
1004	Valve support
1005	Seeger ring
1006	Spring
2000	Outer case
2001	Suction strainer
2002	Cable guard
2003	Initial spacer
2004	Flange
2005	Motor adapter
3000	Pump shaft
3001	Coupling
3002	Upper up-thrust washer
3003	Lower up-thrust washer
3004	Upper journal sleeve
3005	Screw and washer
3006	Up-thrust ring
4000	Diffuser
4001	Secondary bearing bush
4002	Floating neck ring
4003	Flange clamping neck ring
5000	Impeller
5001	Split cone
5002	Split cone nut

6" Motor Adapter

8" Motor Adapter

