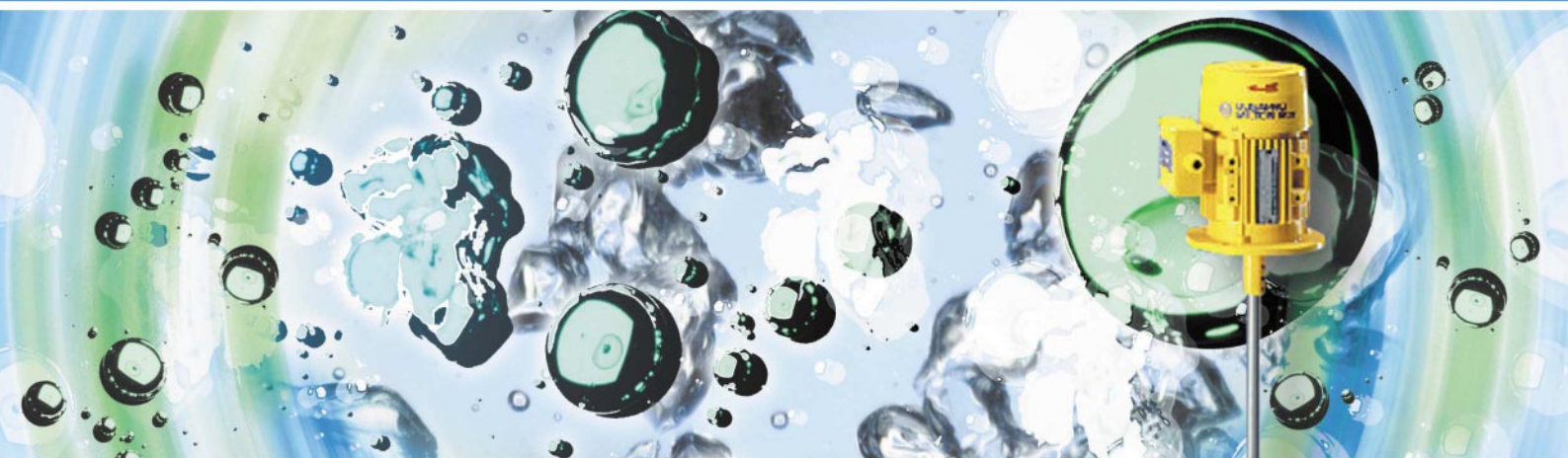


# HELISEM® RANGE

## VD SERIES MIXERS

Open tanks from 0,5 to 5 m<sup>3</sup> – Atmospheric pressure – Temperature up to 70°C



## TYPE VDA

### General characteristics

- Agitator with direct drive
- Lower shaft provided with a marine impeller
- Rated power from 0,25 to 1,5 kW

### Capacities

- From 0.5 to 5 m<sup>3</sup> approximately

### Operating conditions

- Atmospheric pressure
- Temperature up to 70°C

### Main applications

- Homogenization
- Dissolution
- Preparation of reagents
- Neutralization

### Construction materials

- Stainless steel 316L
- Painting PU : RAL 1018 on the drive system  
(please consult us for any other material)

### Electric characteristics

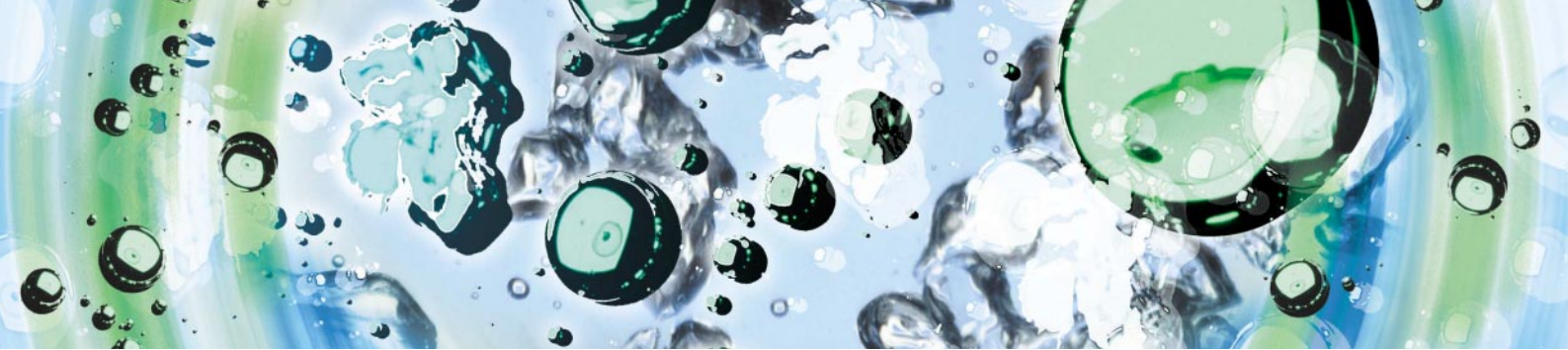
- 230/400 V three-phase
- 50 Hz
- IP 55  
(other voltage and frequency, please consult us)

### Options (depending on mixer type)

- Special motors
- Halar coating
- Second impeller

### Operational limits

- Operation prohibited during draining
- Not recommended for products sensitive to shearing
- Maximum viscosity of 500 mPas
- Density  $\leq 1,2$



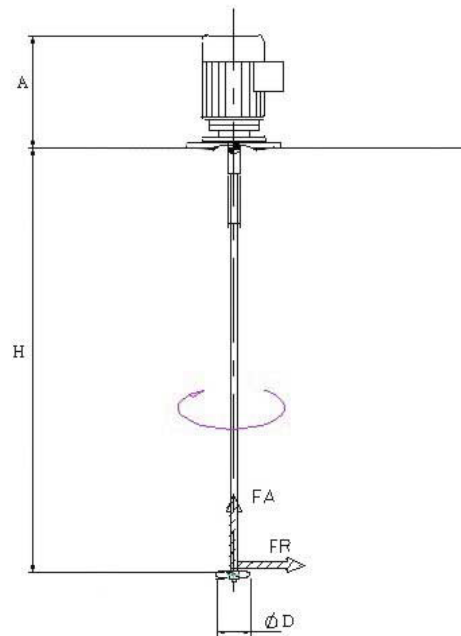
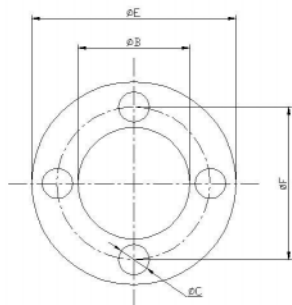
## SPÉCIFICATIONS

Type	Rated power (kW)	Rotation speed (rpm)	Maximum height (mm) H	Propeller Diameter (mm) D	Propeller Flowrate (m <sup>3</sup> /h)	Weight (Kg)	Axial load (DaN)	Torque (DaNm)
1210S	0.25	1500	1000	80	52	10	10	0.2
2210S	0.25	1500	1000	128	104	10	10	0.2
2110S	0.25	750	1000	128	52	12	12	0.3
2520S	0.75	1500	1250	128	104	14	14	0.5
4310S	0.37	750	1000	160	101	19	19	0.5
4630S	1.5	1500	1500	160	203	20	38	1

The minimum height of the liquid at the top of the impeller might be 300 mm.  
It is necessary to respect a distance of 150 mm between the flange and the level of the liquid.

## DIMENSIONS (MM)

Type	A	B	C	E	F
1210S	250	110	9	160	130
2210S	250	110	9	160	130
2110S	285	130	11	200	165
2520S	285	130	11	200	165
4310S	300	130	11	200	165
4630S	320	130	11	200	165



Please consult us for any other request.



**DOSAPRO MILTON ROY**  
 DOSAPRO MILTON ROY  
 10, Grande Rue  
 27360 PONT SAINT PIERRE  
 FRANCE  
 Tel : +33 (0) 2.32.68.30.00  
 Fax : +33 (0) 2.32.68.30.93  
 www.dosapro.com



**MILTON ROY Mixing**  
 MILTON ROY MIXING  
 10, rue du bois Gasseau BP N°94  
 77212 AVON Cedex  
 FRANCE  
 Tel : +33 (0) 1.60.74.95.20  
 Fax : +33 (0) 1.60.74.95.29  
 www.miltonroymixing.com